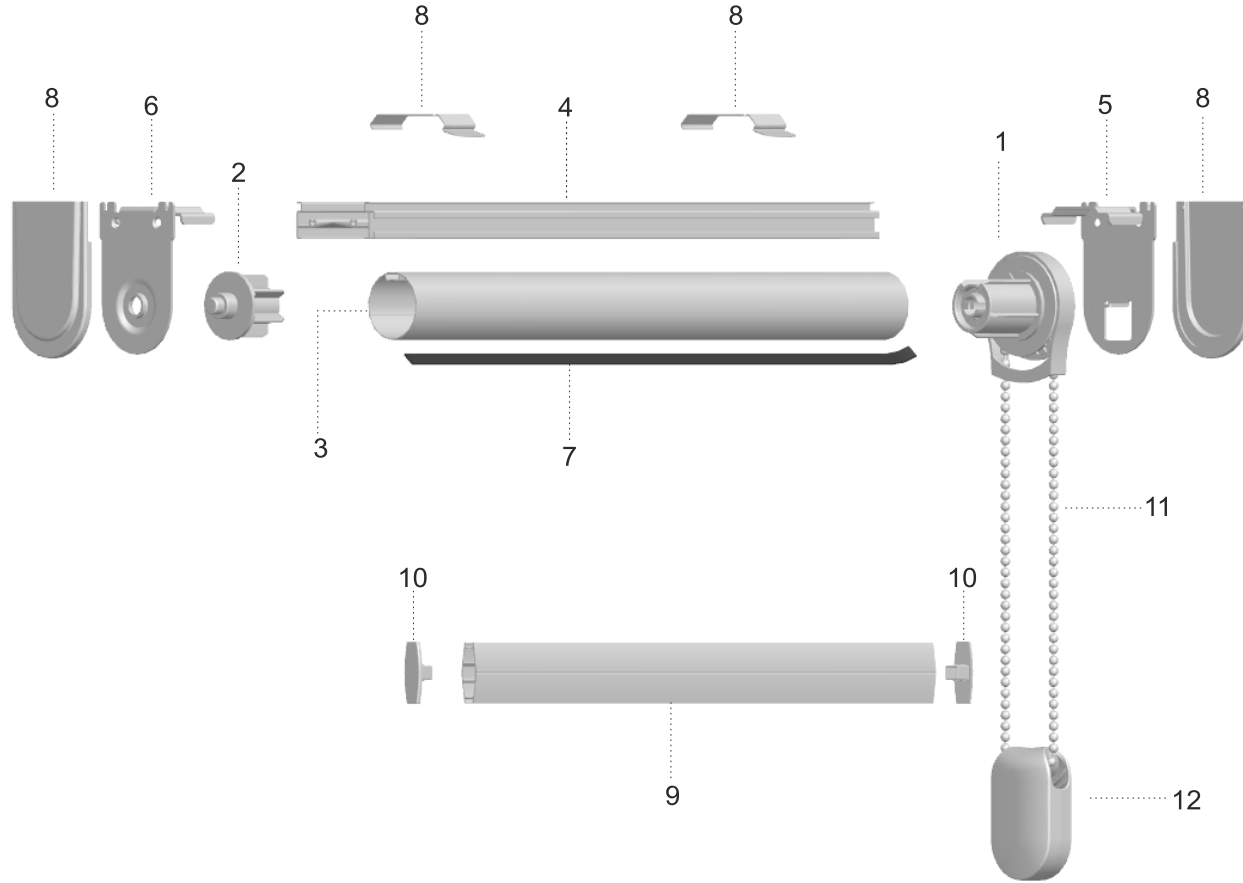


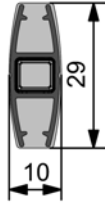
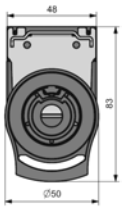
POLOREX-ROLLER-S32-1



SYSTEM INDEX

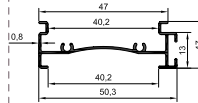
1	PRX.100-3SM32	Clutch 32mm -3S Mekanizma 32mm -Uzun Yaylı
2	PRX.101-PC 32	Spring End Plug 32 mm Yaylı Mekanizma Tapası 32 mm
3	PRX.200 TUBE 32	Aluminium Tube 32mm Alüminyum Boru 32mm
4	PRX.201.02	Aluminium Headrail 47 mm Alüminyum Profil 47mm
5	PRX.303.01	Metal Bracket Metal Ayak
6	PRX.303.02	Metal Bracket Metal Ayak
7	PRX.115-7 MM	Plastic Tape -Roller Blind 7 mm Bant 7mm
8	PRX.301.02	Mounting Bracket 47 mm Montaj Portrayı 47 mm
9	PRX.205.01	Aluminium Bottom Bar Alüminyum Etek Çıtası
10	PRX.107.02	Plastic End Cap Plastik Tapa Kare
11	PRX.110.01	Continuous Plastic Chain Loop-4.5 mm Plastik Zincir-4.5mm
12	PRX.106.01	Cord Weight /Plastic Plastik Elçek

SYSTEM UPGRADES

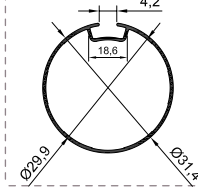


PROFILE

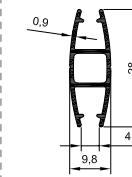
PRX.201.02

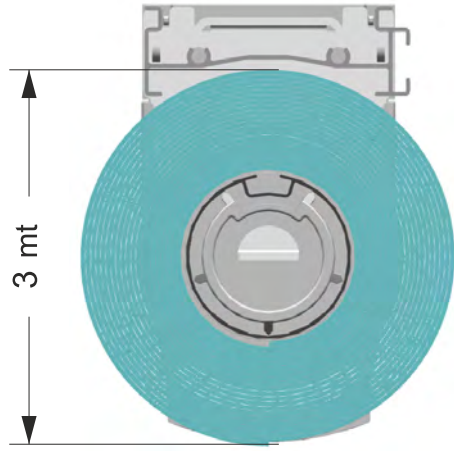


PRX.200 TUBE 32



PRX.205.01





Fabric with 0.90 mm: 3 mt

COLOR RANGE

