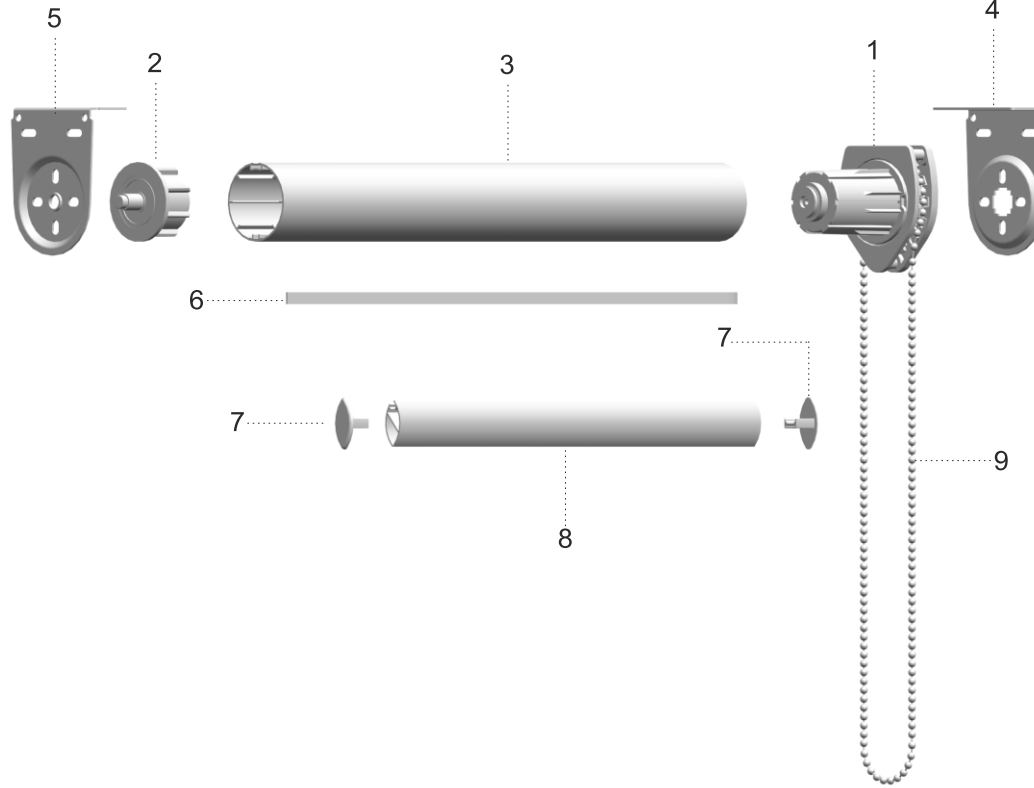


POLOREX-ROLLER-S47

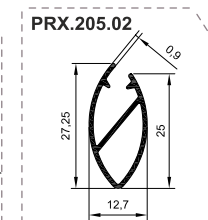
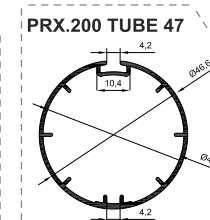
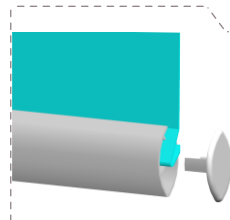
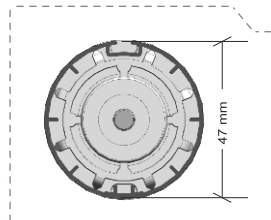
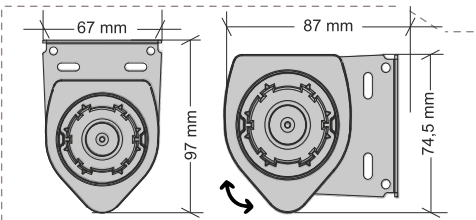
SYSTEM INDEX

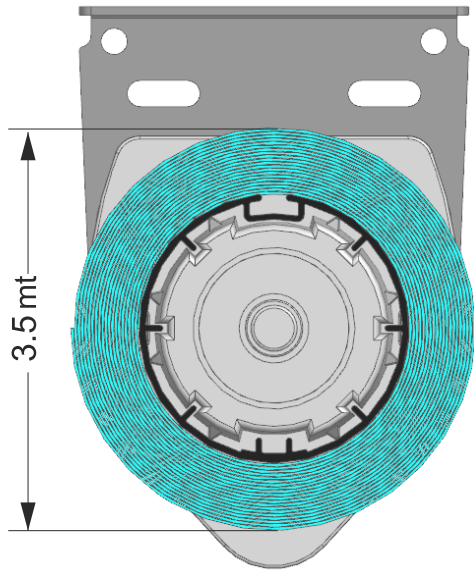


1	PRX.100-M47 1/4	Clutch 65 mm -R 1/4 Mekanizma 47 mm 1/4
2	PRX.101.PR47	Pin End R. 47 mm Rulmanlı Mekanizma Tapası 47 mm
3	PRX.200 TUBE 47	Aluminium Tube 47 mm Alüminyum Boru 47 mm
4	PRX.305-01	Metal Bracket Metal Ayak
5	PRX.305-02	Metal Bracket Metal Ayak
6	PRX.115-7 MM	Plastic Tape -Roller Blind 7 mm Bant 7 mm
7	PRX.205.02	Aluminium Bottom Rail Alüminyum Etek Çıtası
8	PRX.107.14	End Cap for Rail Etek Lama Tapası
9	PRX.110.01	Continuous Plastic Chain Loop-4,5 mm Plastik Zincir-4,5mm

SYSTEM UPGRADES

PROFILE





Fabric with 0.50 mm:3,5 mt

COLOR RANGE

