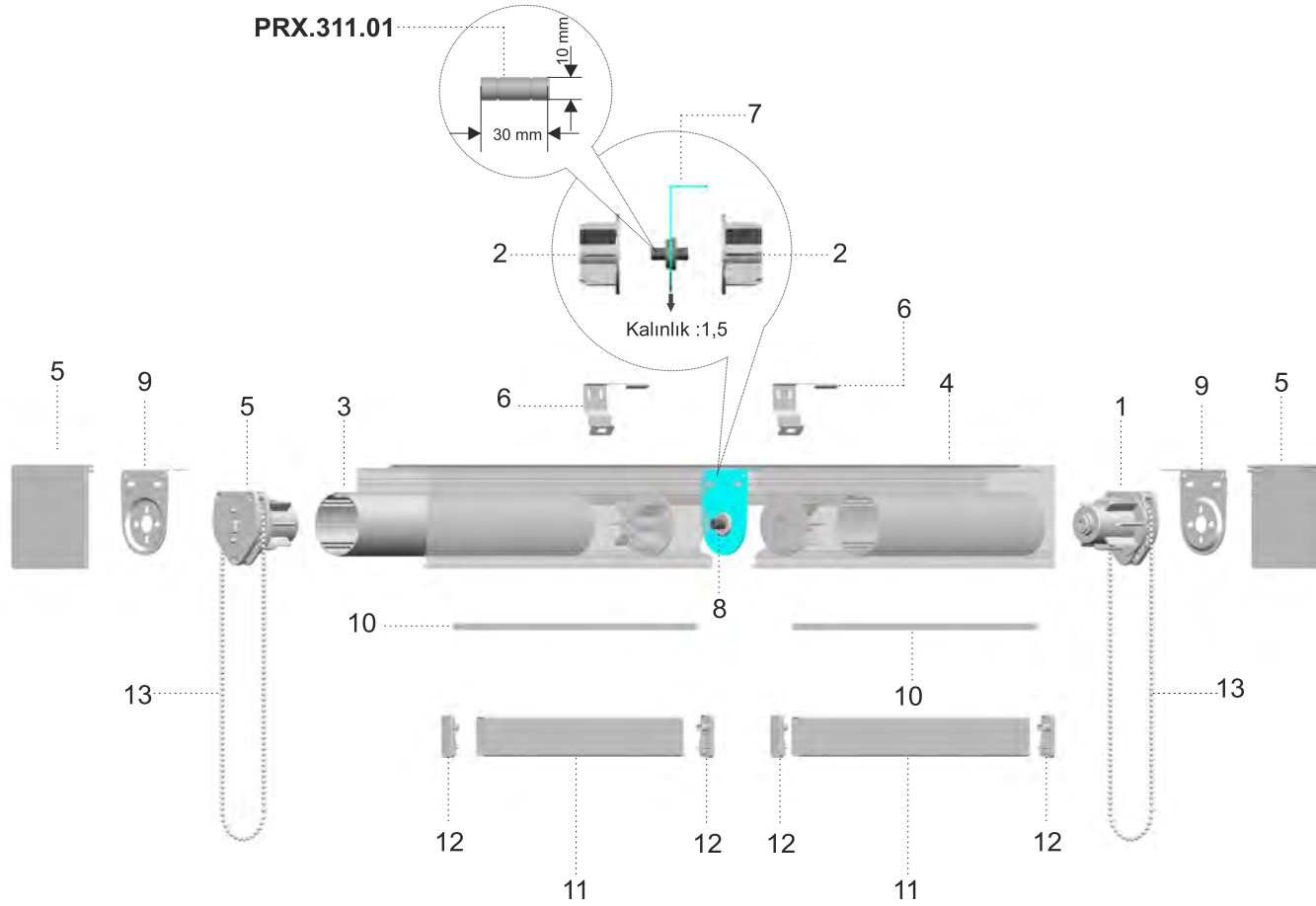


POLOREX-CASSETTE 120 with METAL JOINT LEG

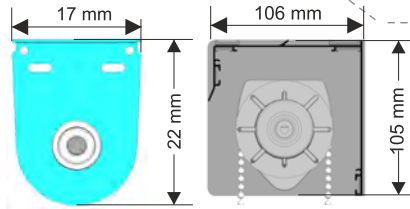
SYSTEM INDEX



1	PRX.100-M65 1/4	Clutch 65mm -R 1/4 Mekanizma 65 mm 1/4
2	PRX.101.PRA65	Orta Ayak Rulmanlı Burç 65 mm End Plug for Middle Bracket 65 mm
3	PRX.200 TUBE 65	Aluminium Tube 65 mm Alüminyum Boru 65 mm
4	PRX.202.07	Aluminium Casette XL Alüminyum Kapalı Kasa XL
5	PRX.104.07	End Cap Alüminyum Kasa Kapağı
6	PRX.302.04	Mounting Bracket Kapalı Kasa Montaj Potrayı
7	PRX.312.03	Metal Joint Leg Metal Orta Ayak
8	PRX.311.01	Pin - Round Adaptör
9	PRX.305-01	Metal Bracket Metal Ayak
10	PRX.115-7 MM	Plastic Tape 7 mm Bant 7 mm
11	PRX.205.04	Aluminium Bottom Rail Alüminyum Etek Çıtası
12	PRX.107.10	End Cap for Rail Etek Lama Tapası
13	PRX.110.01	Continuous Plastic Chain Loop-4.5 mm Plastik Zincir-4.5mm

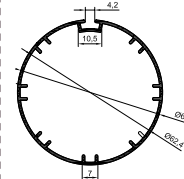
SYSTEM UPGRADES

PRX.312.03

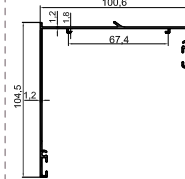


PROFILE

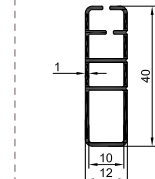
PRX.200 TUBE 65

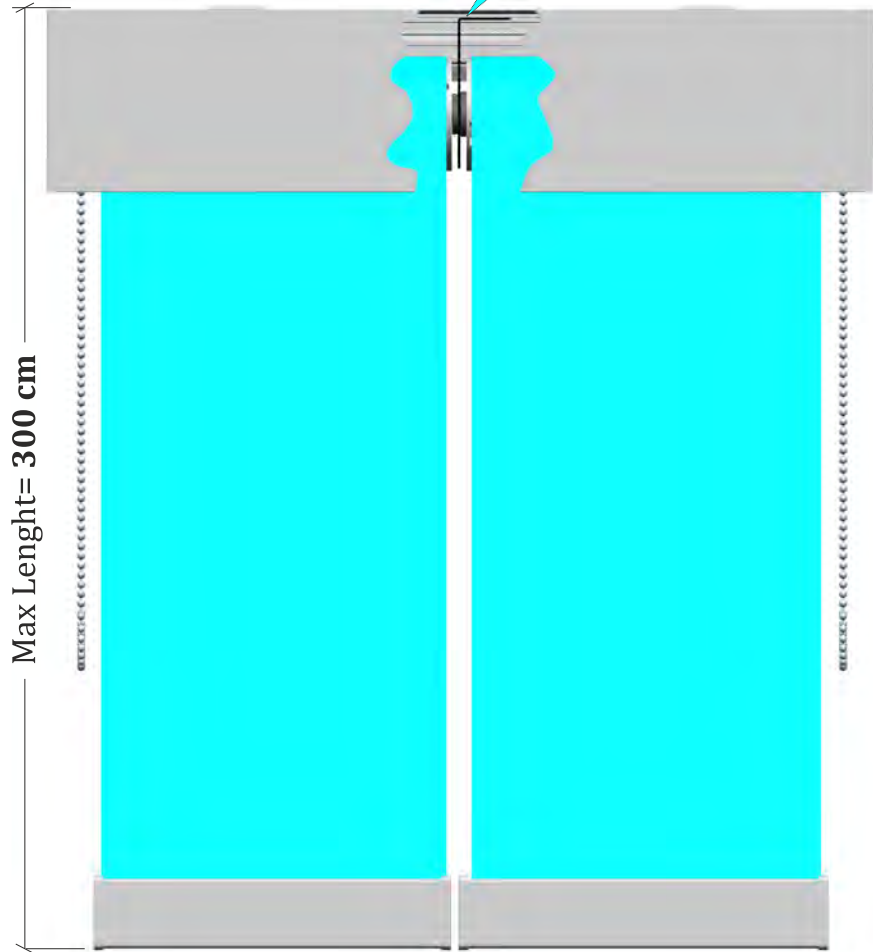
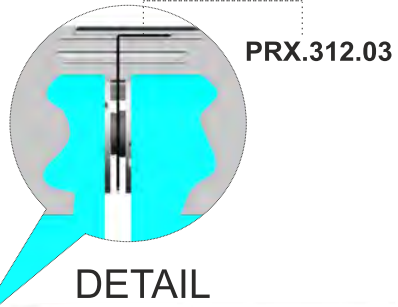
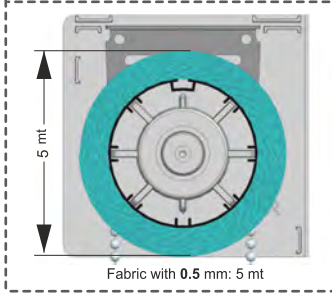


PRX.202.07



PRX.107.10





COLOR RANGE

