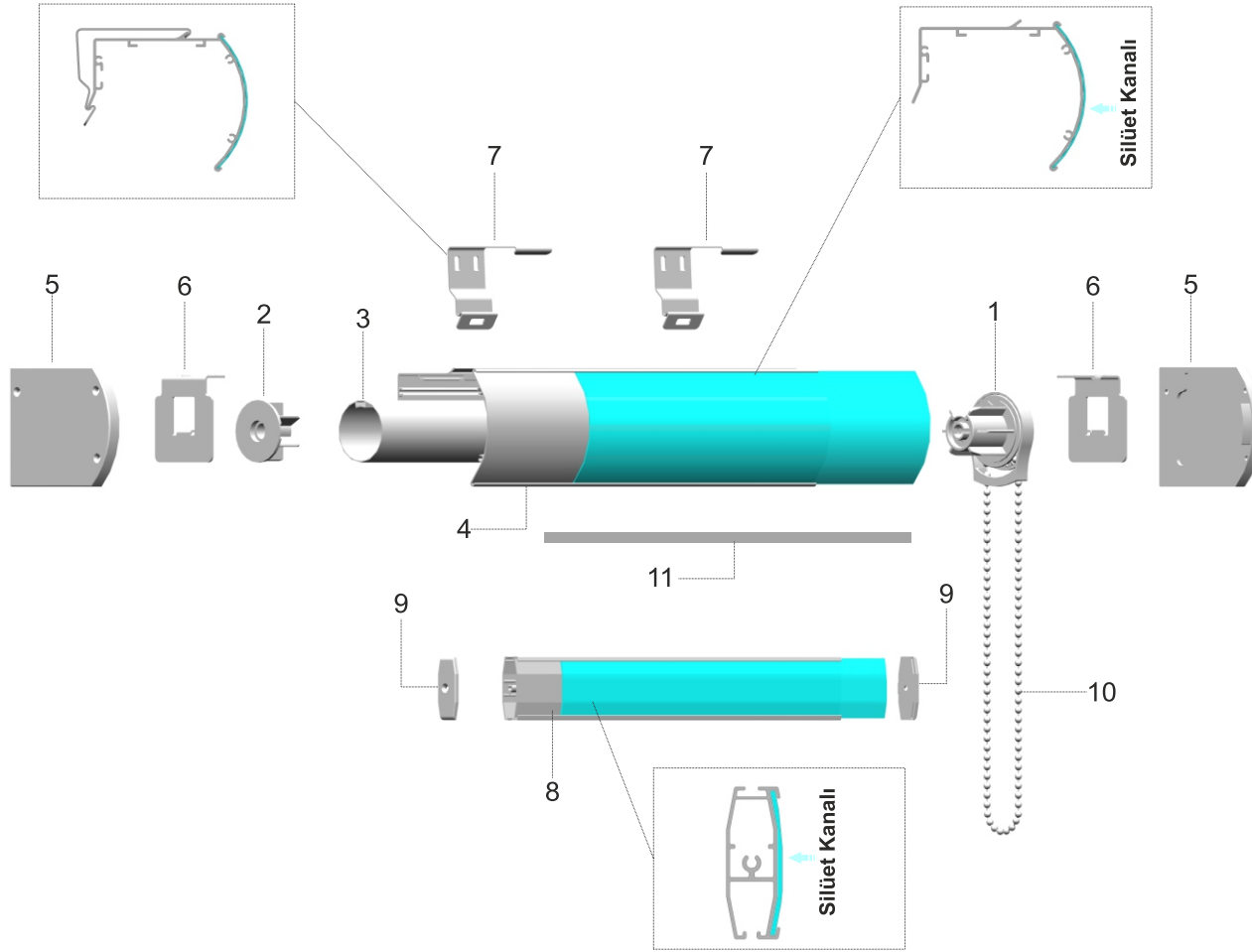


## POLOREX-CASSETTE 100-10

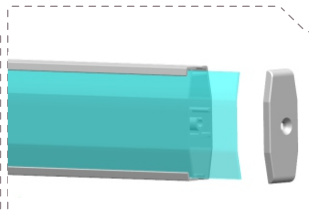
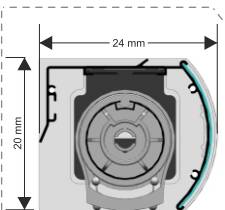
## SYSTEM INDEX



1	<b>PRX.100-3SM38</b>	Clutch 38mm -3S Mekanizma 38 mm-UzunYaylı
2	<b>PRX.101-PA38</b>	End Plug 38 mm Mekanizma Tapası 38 mm
3	<b>PRX.200 TUBE 38</b>	Aluminium Tube 38 mm Alüminyum Boru 38 mm
4	<b>PRX.202.06-01</b>	Aluminium Cassette Alüminyum Kapalı Kasa
5	<b>PRX.104.08</b>	End Cap Alüminyum Kasa Kapağı
6	<b>PRX.306-05</b>	Metal Bracket Metak Ayak
7	<b>PRX.302.04</b>	Bracket Portray
8	<b>PRX.206.07</b>	Aluminium Bottom Rail Alüminyum Etek Çıtası
9	<b>PRX.107.19</b>	End Cap Plastik Tapa
10	<b>PRX.110.01</b>	Continuous Plastic Chain Loop-4,5 mm Plastik Zincir-4.5mm
11	<b>PRX.115-8 MM</b>	Plastic Tape -Roller Blind 8 mm Bant 8 mm

## SYSTEM UPGRADES

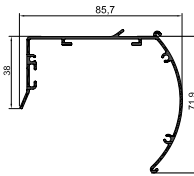
## PROFILE



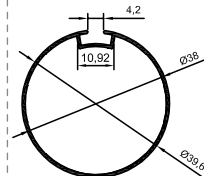
PRX.306-05



PRX.202.06-01



PRX.200 TUBE 38



PRX.206.07

