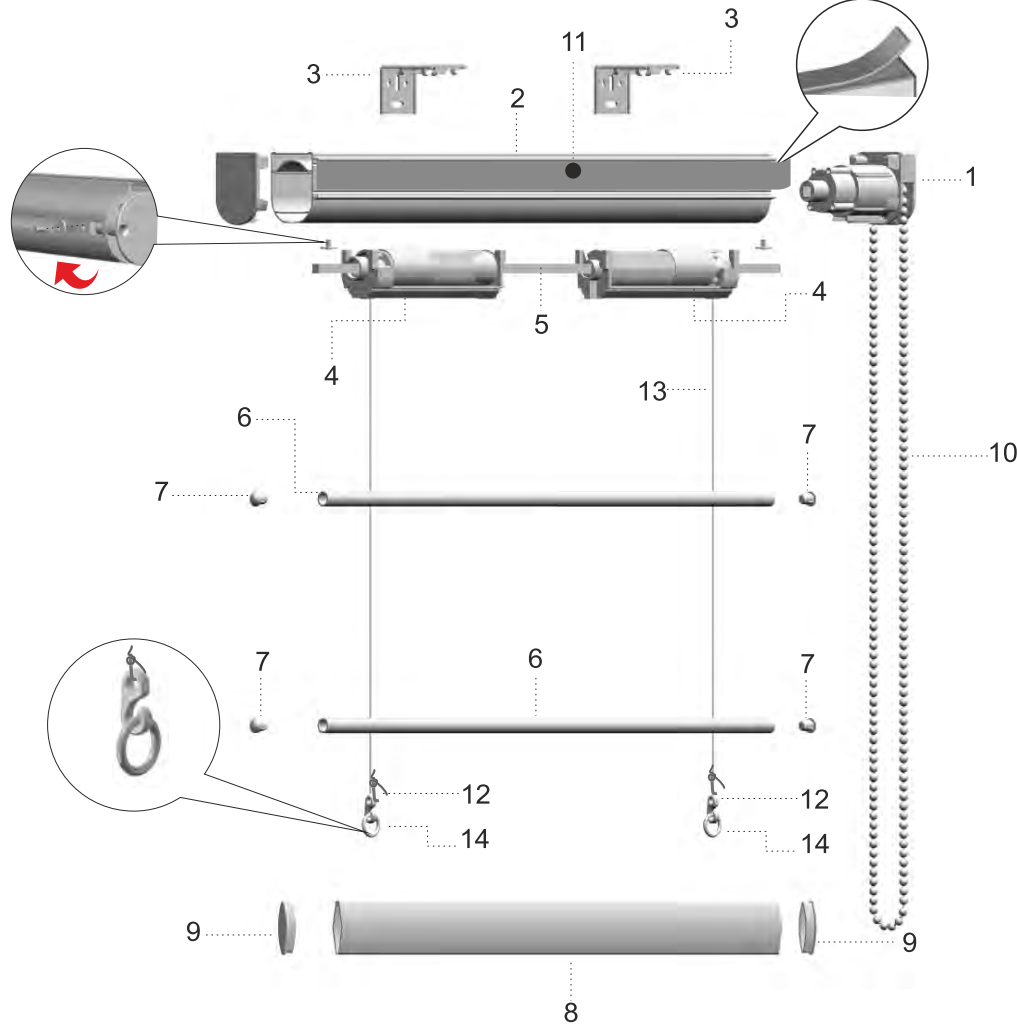


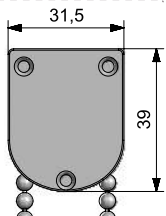
## ROMAN SHADE -S37



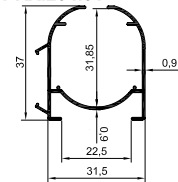
## SYSTEM INDEX

1	<b>PRX.100-M.ROMAN.S</b>	Roman Drive - Square Katlamalı Perde Mekanizması 1/4-Kare
2	<b>PRX.204.01</b>	Profile with Velcro Koteksli Kapalı Profili
3	<b>PRX.302.03</b>	Bracket Portray
4	<b>PRX.114.01-S</b>	Cord Spool - Hexagon Makara Kare
5	<b>PRX.208.02</b>	Aluminium Rod - Square Alüminyum Kare Mil
6	<b>PRX.207.02</b>	Alüminyum Ara Boru Plastik Tapa
7	<b>PRX.108.01</b>	End Plug Etek Boru Tapası
8	<b>PRX.205.03</b>	Aluminium Bottom Bar Alüminyum Etek Çıtası
9	<b>PRX.107.07</b>	End cap of Bottom Bar Lama Tapası
10	<b>PRX.110.01</b>	Plastic Chain Loop-4,5 mm Plastik Zincir-4.5mm
11	<b>PRX.116.01</b>	Soft Velcro Yumuşak Koteks
12	<b>PRX.113.01</b>	Plastic Perde Kancası Curtain Track Hook
13	<b>PRX.117</b>	Ip 1,4 mm Cord 1,4 mm
14	<b>PRX.113.02</b>	Plastic Ring Şeffaf Halka

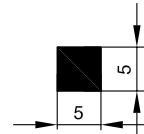
## SYSTEM UPGRADES



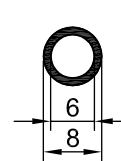
## PRX.204.01



## PRX.205.03



## PRX.205.03



## PRX.205.03

