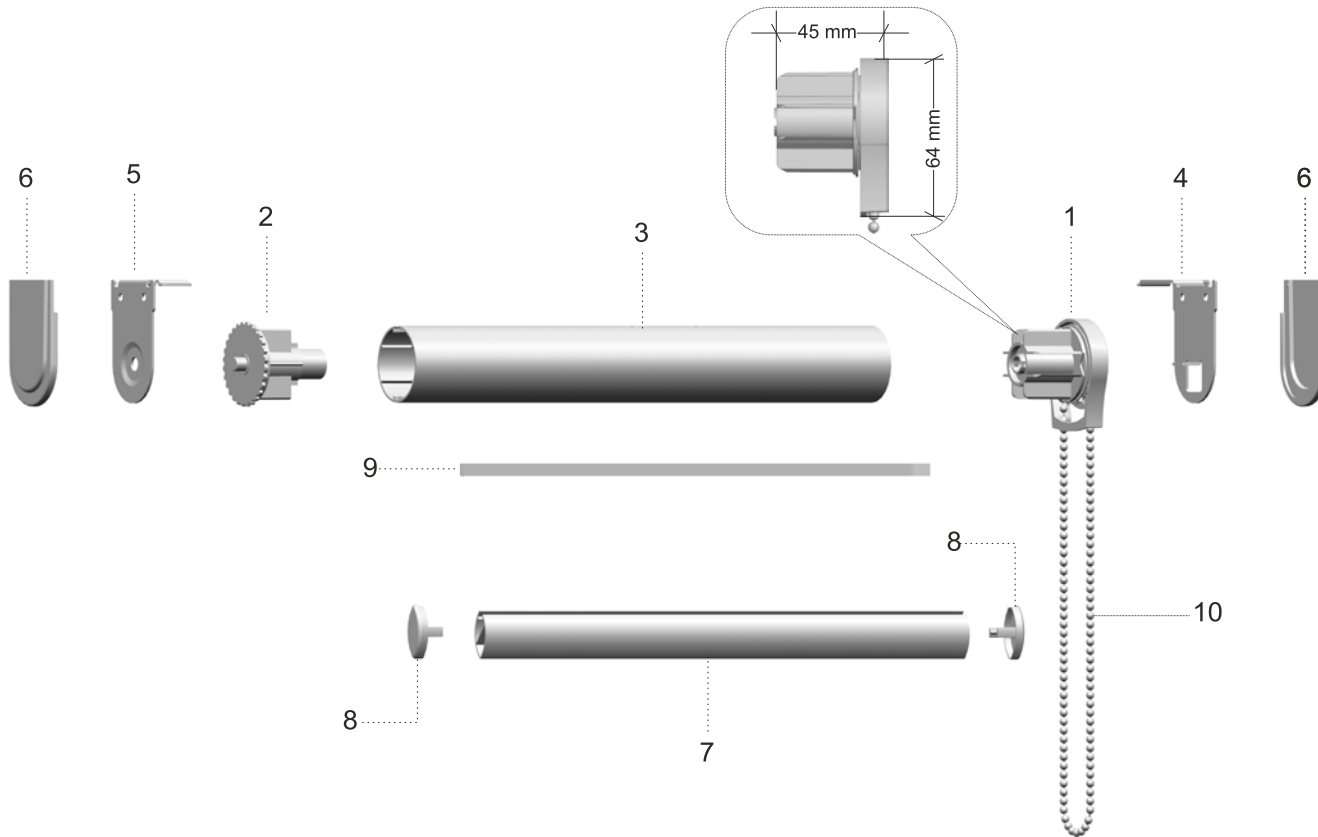


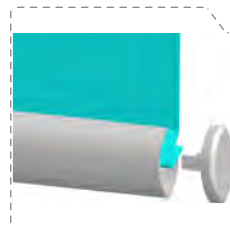
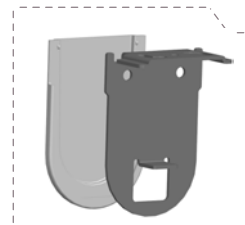
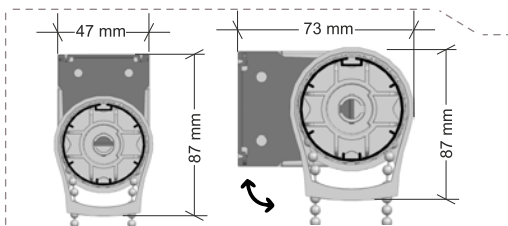
## POLOREX-ROLLER-S43



## SYSTEM INDEX

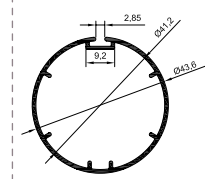
1	<b>PRX.100-M43 1/2</b>	Clutch 43mm -R 1/2 Mekanizma 43 mm - 1/2
2	<b>PRX.101-PB43</b>	Pin End 43 mm Mekanizma Tapası 43 mm
3	<b>PRX.200 TUBE 43</b>	Aluminium Tube 43 mm Alüminyum Boru 43 mm
4	<b>PRX.304.01</b>	Metal Bracket Metal Ayak
5	<b>PRX.304.02</b>	Metal Bracket Metal Ayak
6	<b>PRX.103.02</b>	Bracket Cover Plastik Kılıf
7	<b>PRX.205.02</b>	Aluminium Bottom Bar Alüminyum Etek Çıtası
8	<b>PRX.107.04</b>	End cap of Bottom Bar Plastik Tapa
9	<b>PRX.115-8 MM</b>	Adhesive Tape 8 mm 8 mm Yapışkanlı Bant
10	<b>PRX.110.01</b>	Continuous Plastic Chain Loop-4,5 mm Plastik Zincir-4,5mm

## SYSTEM UPGRADES

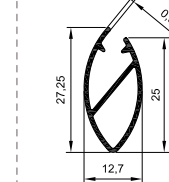


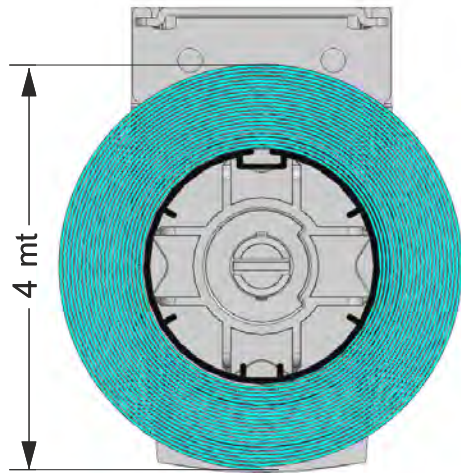
## PROFILE

## PRX.200 TUBE 43



## PRX.205.02





Fabric with 0.50 mm: 4 mt

COLOR RANGE

