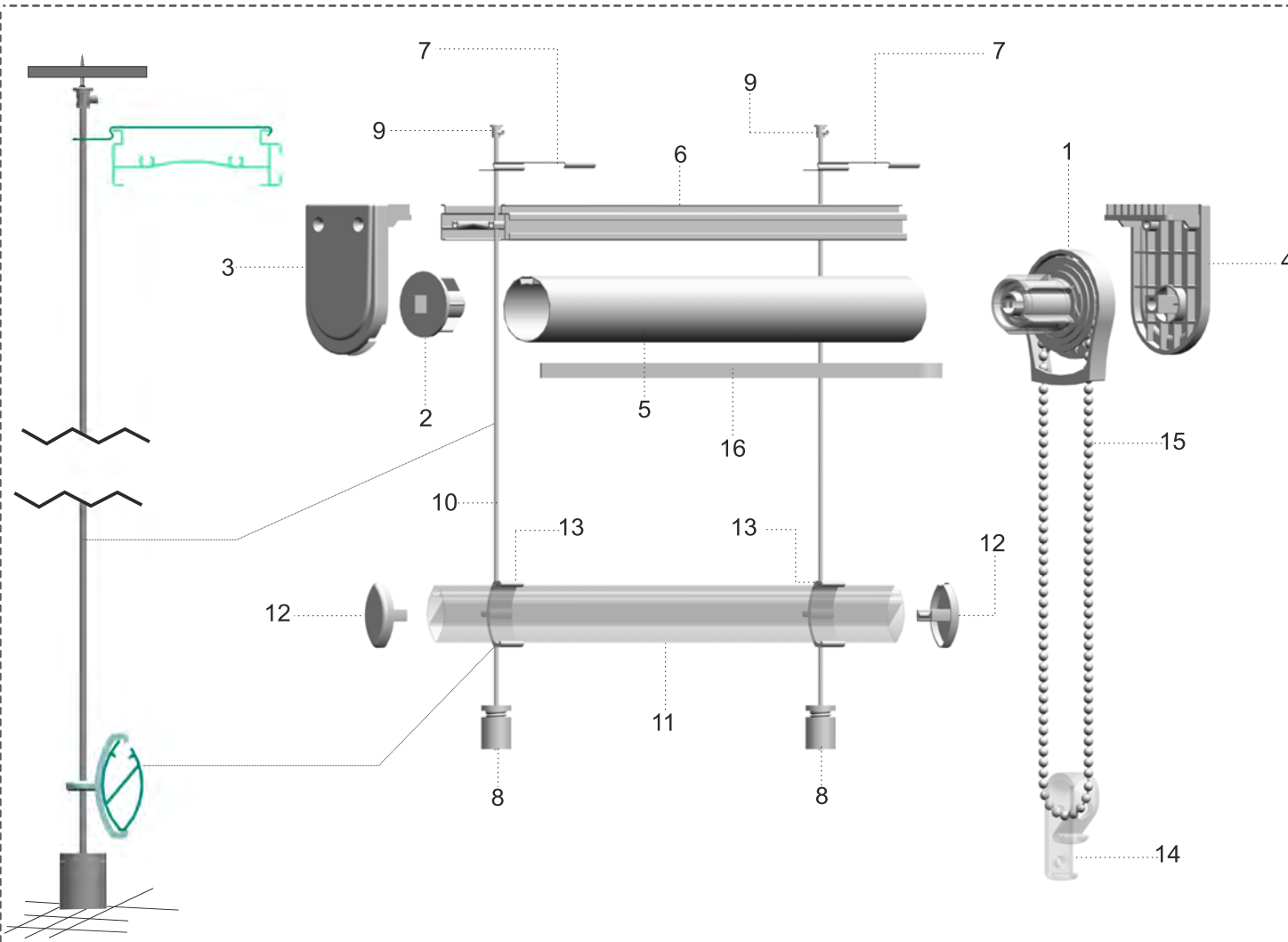


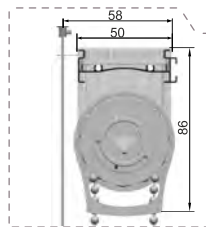
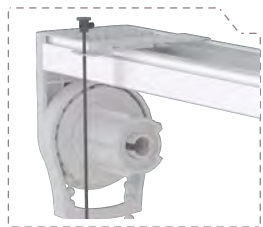
## POLOREX-ROLLER GUIDE WIRE



## SYSTEM INDEX

- |    |                        |  |
|----|------------------------|--|
| 1  | <b>PRX.100-M32 1/2</b> | Clutch 32mm -R 1/2<br>Mekanizma 32 mm - 1/2                  |
| 2  | <b>PRX.101-P32</b>     | Pin End 32 mm<br>Mekanizma Tapası 32 mm (PİMLİ)              |
| 3  | <b>PRX.102-A.BR47</b>  | Plastic Bracket 47mm<br>Plastik Ayak 47mm                    |
| 4  | <b>PRX.102-B.BR47</b>  | Plastic Bracket 47mm<br>Plastik Ayak 47mm                    |
| 5  | <b>PRX.200 TUBE 32</b> | Aluminum Tube 32 mm<br>Alüminyum Boru 32 mm                  |
| 6  | <b>PRX.201.02</b>      | Aluminium Headrail - 47 mm<br>Alüminyum Zebra Profili 47mm   |
| 7  | <b>PRX.307.02</b>      | Bracket for Wire 47 mm<br>Çelik Portray Zıgıl 47 mm          |
| 8  | <b>PRX.308.01</b>      | Clip for Wire<br>Sabitleme Adaptörü                          |
| 9  | <b>PRX.308.02</b>      | Adaptor<br>Adaptör   |
| 10 | <b>PRX.308.03</b>      | Wire 1,4 mm<br>Sabitleme Teli 1,4 mm                         |
| 11 | <b>PRX.205.02</b>      | Aluminium Bottom Rail<br>Alüminyum Etek Çıtası               |
| 12 | <b>PRX.107.04</b>      | End Cap for Rail<br>Plastik Tapa                             |
| 13 | <b>PRX.125</b>         | Wire Holder<br>Plastik Zıgıl Klipsi                          |
| 14 | <b>PRX.105.02</b>      | Safety Hold<br>Çocuk Kiliti-M                                |
| 15 | <b>PRX.110.01</b>      | Continuous Plastic Chain Loop-4,5 mm<br>Plastik Zincir-4.5mm |
| 16 | <b>PRX.115-7 MM</b>    | Plastic Tape -Roller Blind 7 mm<br>Bant 7 mm                 |

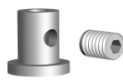
## PROFILE



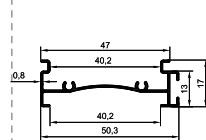
PRX.308.01



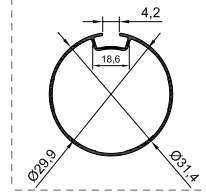
PRX.308.02



PRX.201.02



PRX.200 TUBE 32



PRX.205.02

