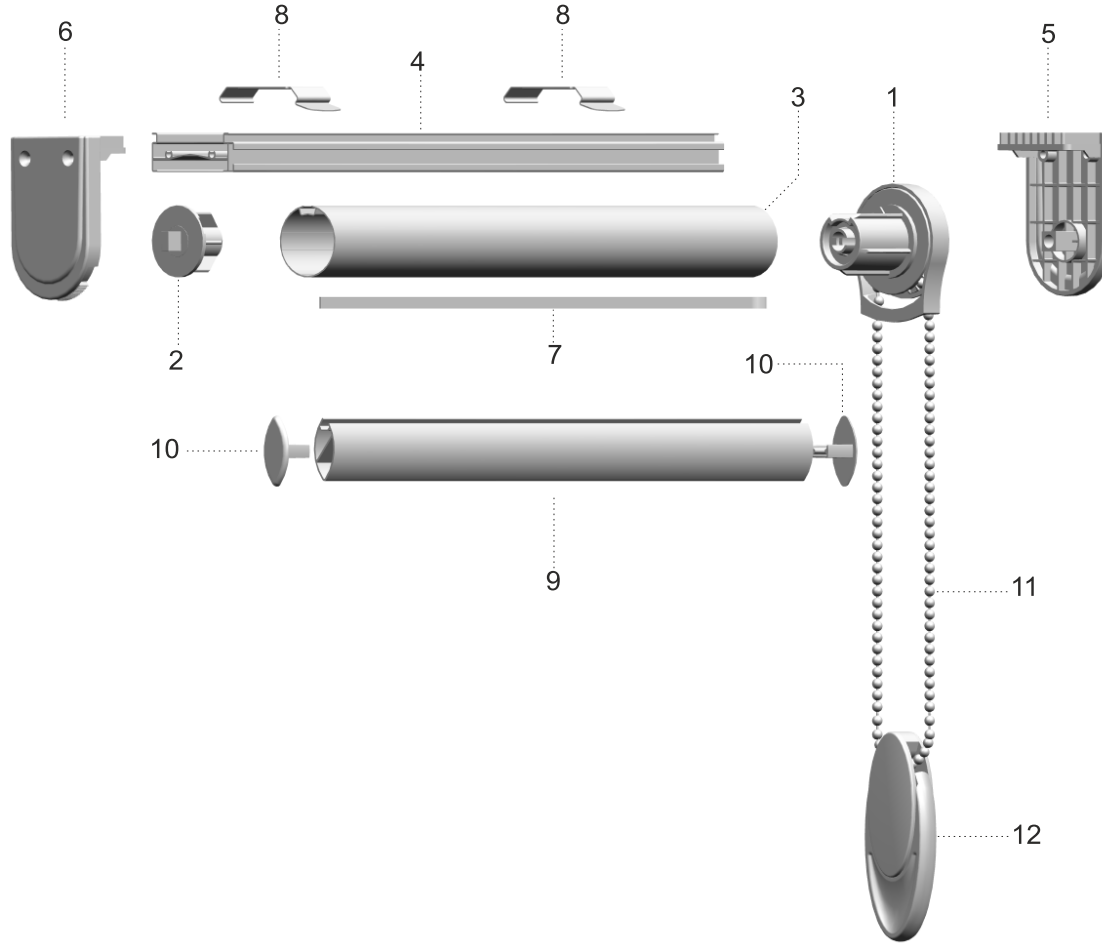


## POLOREX-ROLLER S32



## SYSTEM INDEX

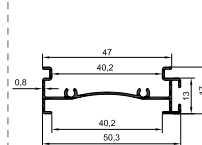
1	<b>PRX.100-3SM32</b>	Clutch 32mm -3S Mekanizma 32mm -Uzun Yaylı
2	<b>PRX.101-P32</b>	Pin End 32 mm Burç 32 mm
3	<b>PRX.200 TUBE 32</b>	Aluminium Tube 32mm Alüminyum Boru 32mm
4	<b>PRX.201.02</b>	Aluminium Headrail 47 mm Montaj Zebra Profili 47 mm
5	<b>PRX.102-A.BR47</b>	Plastic Bracket 47 mm Plastik Ayak 47 mm
6	<b>PRX.102-B.BR47</b>	Side Bracket Gear for 47 mm Rail Plastik Ayak 47 mm
7	<b>PRX.115-7 MM</b>	Plastic Tape -Roller Blind 7 mm Bant 7mm
8	<b>PRX.301.02</b>	Mounting Bracket 47 mm Montaj Portrayı 47 mm
9	<b>PRX.205.02</b>	Aluminium Bottom Rail Alüminyum Etek Çıtası
10	<b>PRX.107.04</b>	End Cap for Rail Plastik Tapa
11	<b>PRX.110.01</b>	Continuous Plastic Chain Loop-4.5 mm Plastik Zincir-4.5mm
12	<b>PRX.106.02</b>	Transparent Cord Weight /Plastic Şeffaf Elçek

## SYSTEM UPGRADES

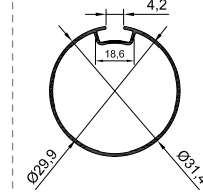


## PROFILE

PRX.201.02



PRX.200 TUBE 32



PRX.205.02

